



Maarten Lounge Chair

BY VÍCTOR CARRASCO

Maarten Lounge Chair

BY VÍCTOR CARRASCO

Technical Info EN

2017



Swivel lounge chair for the home and for public facilities.

Its lacquered steel tube structure and carefully made, elegant, upholstered seat recall the classics of the 70s.

Maarten is available in a large quantity of finishes to adapt to different environments.

Totally in line with its original design we have made arms in lacquered steel tubing for our successful Maarten Lounge Chair.

Víctor Carrasco

Born in Valencia (Spain) in 1974, Víctor Carrasco began his professional career after graduating Cum Laude in Industrial Design Engineering at the Polytechnic University of Valencia.

Shying away from trends and fads, he has developed and positioned international brands with remarkable added value, thanks to his passion for synthesis, sustainable growth and his pragmatic vision of the future.

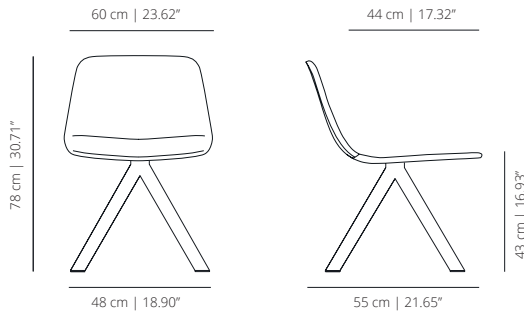
Since 2007, he has been combining his position as strategic director of Viccarbe with that of Director Business Development for the prestigious American multinational Coalesse (Steelcase Inc.). Likewise, as an industrial designer, he has collaborated with numerous international companies.

He was the recipient of the Prince Felipe Award for Business Excellence and he has also won the German Design Award.

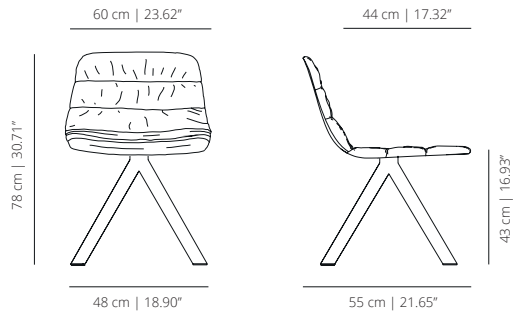


SWIVEL BASE

MAALBU
smooth upholstery

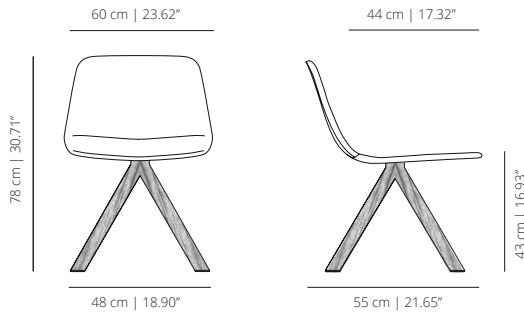


MAABU
soft upholstery

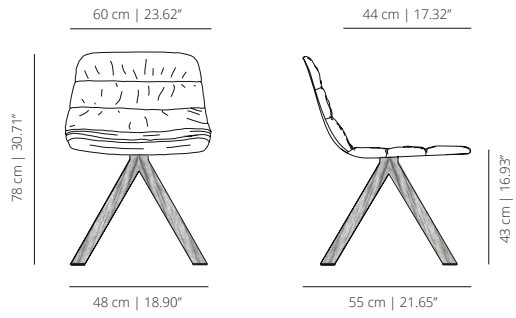


SWIVEL WOODEN BASE

MAALBUM
smooth upholstery



MAABUM
soft upholstery

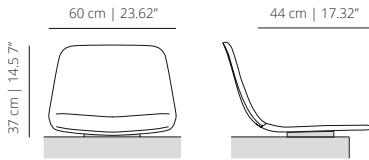


ACCESSORIES

MAALBUAU

auditorium base smooth upholstery

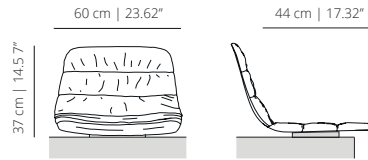
Base in calibrated powder coated steel in thermoreinforced polyester in grey, with 3D curved plywood covered by expanded polyurethane foam with a soft or smooth finish, suitable for large surfaces.



MAABUUAU

auditorium base soft upholstery

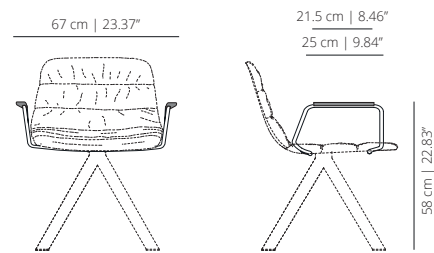
Base in calibrated powder coated steel in thermoreinforced polyester in grey, with 3D curved plywood covered by expanded polyurethane foam with a soft or smooth finish, suitable for large surfaces.



MAABUB

arms

Calibrated steel arms powder coated in thermoreinforced polyester in white, black, sand, altea blue or flourescent orange, with natural oak armrests stained with the finishes of our collection.



FINISHES

Upholstery

Check upholstery samples.

STRUCTURE | ARMS

Powder coated



white
RAL 9003



black
RAL 9005



altea blue
RAL 5000



sand
RAL 1019



fluor orange
RAL 2005

Stained (Oak)



matt oak



cognac



wenge



ash

TECHNICAL INFO

Seat – moulded shell with 3D plywood covered in shape-holding polyurethane foam and polyester fiber. Fixed upholstery covering available in the classic and plain version.

Base options:

Swivel base – Calibrated steel swivel structure powder coated in thermoreinforced polyester in white, black, sand, altea blue or fluorescent orange. Expanded polyurethane foam. Fabric or leather. Transparent injection polypropylene glides. Calibrated steel arms powder coated in thermoreinforced polyester in white, black, sand, altea blue or fluorescent orange, with natural oak armrests stained with the finishes of our collection.

Swivel wooden base – Calibrated steel with an oak veneer stained with the finishes of our collection. Expanded polyurethane foam. Fabric or leather. Transparent injection polypropylene glides. Calibrated steel arms powder coated in thermoreinforced polyester in white, black, sand, altea blue or fluorescent orange, with natural oak armrests stained with the finishes of our collection.

CERTIFICATIONS

ANSI BIFMA X5.4-2012



viccarbe