



Waiting room armchair by Quinti Sedute collection, is an all-purpose seat with chromed structure d.25, anti-noise rubbers, and integrated armrests.

#### **Bases**

1. Metal cantilever structure, available in black, white or chromed version, with integrated armrests, black or grey polypropylene pan.
2. 4 legs chromed structure with integrated armrests and black pad.

#### **Stuffing**

Expanded polyurethane with thickness 5 cm. and density 25.

#### **Seat and backrest**

The backrest is available in two versions:

- High or low, upholstered, packed with double seam
- low with black polypropylene structure upholstered with net Goal or Gabriel.

The seat is always upholstered and packed with double seam.

The chair is stackable, therefore under each seat is attached an anti-scratch cover carter

11M Certified both in entirely stuffed version and in the one with net fabric backrest.

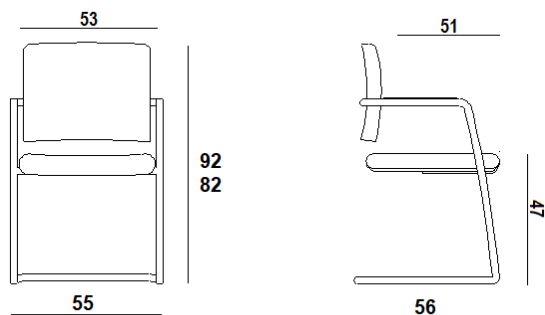
It meets the requirement of the EN16139 norm, and is certified.



# HOST **Quinti**<sup>®</sup>

## DIMENSIONS

---



## UPHOLSTERY

---

### CREPE'

#### CATEGORY 1

350 gr/mtl

100% Polyester Class 1 ,EN1021/1-2

50.000 +/- 10% cycles

### BIO-EXPO

#### CATEGORY 2

300 gr/mt2

100% Propitex FR bacteriostatic

Class 1 UNI EN ISO 354:2003

100.000 +/- 10% cycles Martindale

### EXTREME

#### CATEGORY 2

350 gr/mtl

100% Xtreme FR

Class 1 , EN 1021-1/2

100.000 +/- 10% cycles Martindale

### LASER

#### CATEGORY 2

560 gr/mtl

100% Polyester FR

Class 1

80.000 +/- 10% cycles Martindale

### ECOPELLE

#### CATEGORY 2

630 gr/mt2

83% PVC, 17% Synthetic

ISO 379-DIN75200-CSERF4/83 10%

cycles Martindale

### ERA

#### CATEGORY 3

448 gr/mtl

100% Trevira CS

Class 1 UNI EN ISO 354:2003

100.000 +/- 10% cycles Martindale

### LASER PLUS

#### CATEGORY 3

630 gr/mtl

100% Polyester FR Trevira

Classe1 , 4.000 +/- cycles Martindale

### ECOPELLE SOUL

#### CATEGORY 3

760 gr/mt2

Superficies 100% POLIURETANO,

Base Polyester 85%,17% Cotton

EN1021-1/BS5852 PART 1

>100.000 EN ISO 5470-2

### MELANGE

#### CATEGORY 3

390 g/lin.m

100% Trevira CS

Class 1

80.000 +/- 10% cycles Martindale

### JET

#### CATEGORY 3

365 +/- 5% g/lin.m

100% Polyester FR

Class 1

80.000 +/- 10% cycles Martindale

### ECOPELLE SISTEMA PRO

#### CATEGORY 3

710 gr/mt2

Surface 93% PVC

Base Polyester 28%

CLASSE1

100.000 CICLI

### ECOPELLE VITAX

#### CATEGORY 3

850 gr/mt2

Surface 98% PVC 2% PU

Base cotton 100%

CLASSE 1

100.000 CICLI

### ONE RECICLE

#### CATEGORY 3

525 gr/mt2

100% recycled polyester

Base cotton 100%

CLASSE 1IM

100.000 CICLI

### LANA

#### CATEGORY 5

500 gr/mt2

75% Lana, 25% polyamide

Class 1

100.000 cycles Martindale

### PELLE

#### CATEGORY 5/6

620 g/lin.m

100% Cow leather

Class 1, EN 1021-1/2

### PIED POULE

#### CATEGORY 6

550 g/lin.m

66% cotton, 34% Polyester

35.000 % cycles Martindale

### EUROPOST 2

#### CATEGORY 6

710 g/lin.m

63% PU, 16% CO, 21% PL

Ini1975 CLASS1emme,UNI9175/FA

50.000% cycles Martindale

### PREMIUM /ELEGANCE

#### CATEGORY 7

100% First quality cow leather

Thickness 1,2/1,4 mm

EN1021-1/2

### STEELCUT TRIO

#### CATEGORY 7

770 g/lin.m

90% New wool worsted, 10% Nylon

Class 1, EN 1021-1/2

100.000 % cycles Martindale

### REMIX

#### CATEGORY 7

415 g/lin.m

90% New wool worsted, 10% Nylon

Class 1, EN 1021-1/2

100.000 % cycles Martindale

### VELLUTO DECONTRACTE'

#### CATEGORY 7

590 g/lin.m

19% CO, 61% PC,10% PL, 10%VI

40.000 % cycles Martindale

### MERIT

#### CATEGORY 7

500g/lin.m

76% Polyester Recycled

24% Polyester

EN 1021-1/2

85.000 % cycles Martindale

### VELLUTO

#### CATEGORY 8

600 g/lin.m

100.000 % PL Flame retardant

### PELLE SOFT

#### CATEGORY 8

100% Cow leather Thickness,8-2 mm

Aniline treatment – First quality

EN1021-1/2

## USAGE AND MAINTENANCE

---

In order to have an optimal maintenance of the products and to preserve the characteristics of the materials by which they are made, it is recommended the following course of action.

### **FABRICS**

Cleaning: check the dedicated selection written on the color Swatch card.

Usage: it is recommended to pay careful attention to the fabrics as they can be cut or ripped easily.

### **WOODS**

Cleaning: clean using a soft cloth, soaked in tepid water. Dry always after the cleaning. Remove immediately any liquid substances or other residue in order to prevent the absorption.

Usage: wooden surfaces, being a natural material, might be subjected to color alterations with sun exposure and use over time. It is reminded that wooden surfaces cannot endure direct heat sources.

### **METALS**

Cleaning: both steel and aluminum surfaces, and the painted ones, have to be cleaned using a soft cloth soaked in tepid water. For the most persistent stains it is possible to dilute mild soap with water moderately. Dry always after the cleaning, using a soft cloth of deer-hide. Do not use cleaning products for steel, chlorine, bleach or other strong products. It is not recommended to use abrasive, scourers, which can scratch the metal surfaces.

Usage: pay attention to the food stains as coffee, coke, fruit juices that can make indelible marks on the surfaces.

### **WARRANTY**

QUINTI guarantees the products will maintain their properties for 6 years from delivery, except normal usury and provided that they will be used according to the guidelines given. QUINTI will replace, free of charge, any product found non-compliant with this warranty, without incurring any other liability of sort. Components, external accessories or materials supplied by the buyer and applied to the products in order to customize them will not be supported by the guarantee. For an optimal maintenance of the products and to keep unchanged the characteristics of the materials with which they are made, some simple attentions are necessary.