

# DROP Quinti®



## Structure

The chair is made of tubular oval high-strength steel, easily stackable. It is available both in chromed version and black varnished with scratch-proof epoxy powders ones.

The frame has a proper lateral stopper which enables the chair to be hooked in rows. A spacer, set on the edge of the underseat, creates a slight distance in order to avoid scratches during the stacking.

The frames are provided with anti-slip feet made of black polypropylene.

## Seat & backrest

The chairs are available in the following three versions:

1. made of exposed polypropylene. Colors: white, turtledove, anthracite and fire-retardant black version. The backrest is always microperforated.
2. Seat and backrest are upholstered with foam with appropriate thickness. The anti-scratch cover carters of both seat and backrest are available in black or white variants.
3. Backrest can be upholstered in Goal mesh; the seat is stuffed and upholstered. The polypropylene structure is available only in the black version.

## Armrests & accessories

1. Set of black polypropylene armrests, with reclining arm rests made of black polyurethane, which allow the stacking up to 15 pieces, even when they are assembled.
2. Armrest for writing table, entirely made of die-cast aluminum; black polyurethane armrest; anti-panic writing table made of black polypropylene.
3. Set of polished aluminum armrests with reclining black polyurethane pad.

For the version with armrests it is available the hook for alignment. In this case, the space between two hooked chairs is 74 cm.

## Stuffing

Thickness 20 density T25. It is possible create flame-retardant rubbers on demand.

The chair is 11M certified both with stuffed backrest and upholstered in certified EN16139 net

With the stuffed and plastic versions it is available a 2-3-4 seats bench. Nelle versioni, imbottite e plastica è disponibile la panca a 2-3-4 posti. The chairs are hooked through specific supports to a metal beam with section 80x40mm, which is attached to metal trestle legs. The legs are aluminum-grey varnished.

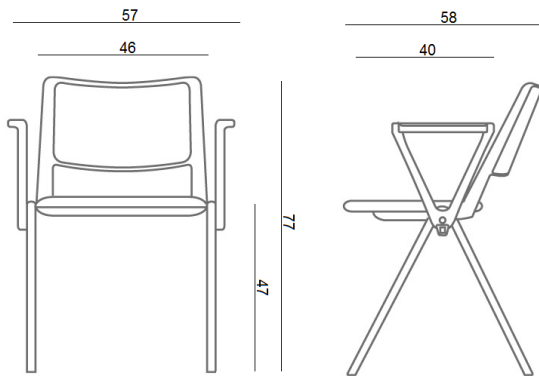
Dim. benches L120-175-238/ 44 P 53/40 H78/45



# DROP Quinti®

## DIMENSIONS

---



# DROP **Quinti**<sup>®</sup>

## UPHOLSTERY

---

### CREPE'

#### CATEGORY 1

350 gr/mtl

100% Polyester Class 1 ,EN1021/1-2  
50.000 +/- 10% cycles

### BIO-EXPO

#### CATEGORY 2

300 gr/mt2

100% Propitex FR bacteriostatic  
Class 1 UNI EN ISO 354:2003  
100.000 +/- 10% cycles Martindale

### EXTREME

#### CATEGORY 2

350 gr/mtl

100% Xtreme FR  
Class 1 , EN 1021-1/2  
100.000 +/- 10% cycles Martindale

### LASER

#### CATEGORY 2

560 gr/mtl

100% Polyester FR  
Class 1  
80.000 +/- 10% cycles Martindale

### ECOPELLE

#### CATEGORY 2

630 gr/mt2

83% PVC, 17% Synthetic  
ISO 379-DIN75200-CSERF4/83 10%  
cycles Martindale

### ERA

#### CATEGORY 3

448 gr/mtl

100% Trevira CS  
Class 1 UNI EN ISO 354:2003  
100.000 +/- 10% cycles Martindale

### LASER PLUS

#### CATEGORY 3

630 gr/mtl

100% Polyester FR Trevira  
Classe1 , 4.000 +/- cycles Martindale

### ECOPELLE SOUL

#### CATEGORY 3

760 gr/mt2

Superficies 100% POLIURETANO,  
Base Polyester 85%,17% Cotton  
EN1021-1/BS5852 PART 1  
>100.000 EN ISO 5470-2

### MELANGE

#### CATEGORY 3

390 g/lin.m

100% Trevira CS  
Class 1  
80.000 +/- 10% cycles Martindale

### JET

#### CATEGORY 3

365 +/- 5% g/lin.m

100% Polyester FR  
Class 1  
80.000 +/- 10% cycles Martindale

### ECOPELLE SISTEMA PRO

#### CATEGORY 3

710 gr/mt2

Surface 93% PVC  
Base Polyester 28%  
CLASSE1  
100.000 CICLI

### ECOPELLE VITAX

#### CATEGORY 3

850 gr/mt2

Surface 98% PVC 2% PU  
Base cotton 100%  
CLASSE 1  
100.000 CICLI

### ONE RECICLE

#### CATEGORY 3

525 gr/mt2

100% recycled polyester  
Base cotton 100%  
CLASSE 1IM  
100.000 CICLI

### LANA

#### CATEGORY 5

500 gr/mt2

75% Lana, 25% polyamide  
Class 1  
100.000 cycles Martindale

### PELLE

#### CATEGORY 5/6

620 g/lin.m

100% Cow leather  
Class 1, EN 1021-1/2

### PIED POULE

#### CATEGORY 6

550 g/lin.m

66% cotton, 34% Polyester  
35.000 % cycles Martindale

### EUROPOST 2

#### CATEGORY 6

710 g/lin.m

63% PU, 16% CO, 21% PL  
Ini1975 CLASS1emme,UNI9175/FA  
50.000% cycles Martindale

### PREMIUM /ELEGANCE

#### CATEGORY 7

100% First quality cow leather  
Thickness 1,2/1,4 mm  
EN1021-1/2

### STEELCUT TRIO

#### CATEGORY 7

770 g/lin.m

90% New wool worsted, 10% Nylon  
Class 1, EN 1021-1/2  
100.000 % cycles Martindale

### REMIX

#### CATEGORY 7

415 g/lin.m

90% New wool worsted, 10% Nylon  
Class 1, EN 1021-1/2  
100.000 % cycles Martindale

### VELLUTO DECONTRACTE'

#### CATEGORY 7

590 g/lin.m

19% CO, 61% PC,10% PL, 10%VI  
40.000 % cycles Martindale

### MERIT

#### CATEGORY 7

500g/lin.m

76% Polyester Recycled  
24% Polyester  
EN 1021-1/2  
85.000 % cycles Martindale

### VELLUTO

#### CATEGORY 8

600 g/lin.m

100.000 % PL Flame retardant

### PELLE SOFT

#### CATEGORY 8

100% Cow leather Thickness,8-2 mm

Aniline treatment – First quality  
EN1021-1/2

# DROP Quinti®

## **GABRIEL MESH**

510 gr. gr/ml  
100% Polyester / Polyester  
BS EN 1021-1:2014  
70.000 / rub

## **GOAL MESH**

350 gr/ mq  
100% Polyester CL. 1  
100.000 Martindale cycles

---

## **USAGE AND MAINTENANCE**

---

In order to have an optimal maintenance of the products and to preserve the characteristics of the materials by which they are made, it is recommended the following course of action.

### **FABRICS**

Cleaning: check the dedicated selection written on the color Swatch card.

Usage: it is recommended to pay careful attention to the fabrics as they can be cut or ripped easily.

### **WOODS**

Cleaning: clean using a soft cloth, soaked in tepid water. Dry always after the cleaning. Remove immediately any liquid substances or other residue in order to prevent the absorption.

Usage: wooden surfaces, being a natural material, might be subjected to color alterations with sun exposure and use over time. It is reminded that wooden surfaces cannot endure direct heat sources.

### **METALS**

Cleaning: both steel and aluminum surfaces, and the painted ones, have to be cleaned using a soft cloth soaked in tepid water. For the most persistent stains it is possible to dilute mild soap with water moderately. Dry always after the cleaning, using a soft cloth of deer-hide. Do not use cleaning products for steel, chlorine, bleach or other strong products. It is not recommended to use abrasive, scourers, which can scratch the metal surfaces.

Usage: pay attention to the food stains as coffee, coke, fruit juices that can make indelible marks on the surfaces.

### **WARRANTY**

QUINTI guarantees the products will maintain their properties for 6 years from delivery, except normal usury and provided that they will be used according to the guidelines given. QUINTI will replace, free of charge, any product found non-compliant with this warranty, without incurring any other liability of sort. Components, external accessories or materials supplied by the buyer and applied to the products in order to customize them will not be supported by the guarantee. For an optimal maintenance of the products and to keep unchanged the characteristics of the materials with which they are made, some simple attentions are necessary.

---