

GENERAL TECHNICAL INFORMATION

Transforming system with foldaway vertical double bed with folding opening and slatted bed base.

Folding mechanism with visible gas springs, mounted to the structure, with devices that remain perfectly locked in both positions of use. The bed rests on metal feet, which protrude from the bed base in the opening phase.

The model is available in two widths, 1560 mm (Ulisse 156) in the Standard and Sofa versions, and 1670 mm (Ulisse 167), in the Standard, Desk (writing desk), Dining (table) and Sofa versions.

The system can stand alone or be integrated and coordinated with the elements of the Living and Young System programs.

Ulisse Standard 156 - 167 is available in the double bed version with 1400 mm wide mattress (Ulisse 156) and with 1500 mm wide mattress (Ulisse 167).

Ulisse Desk 167 is available with double bed, featuring a writing desk which, for the night configuration, is positioned horizontally under the bed base with a tilting movement, without the need to remove objects placed on it.

Ulisse Dining 167 is available with double bed, featuring a table that moves with the opening of the bed and is positioned horizontally under the bed base without the need to remove objects placed on it. In the day configuration, the table is positioned perpendicular to the front of the element to enable better use of the size.

Ulisse Sofa 156 - 167 is available with double bed in two widths, featuring a front sofa. Removing the backrest cushions, the sofa folds away when the bed opens, positioning itself horizontally under the bed base.

- Wooden **frame** with adjustable nylon feet.

- **Bed base with frame** in tubular steel frame and slats in solid beech plywood attached to the frame with nylon/rubber seals.

- weight of Ulisse 156 bed base: Kg 33 - weight of Ulisse 167 bed base: Kg 34

- weight of Ulisse 156 bed base + front panels Kg 53 - weight of Ulisse 167 bed base + front panels: Kg 56

- Standard **mattresses** H 180 mm double bed 1400 mm x 1980 mm weight 26-29 kg (Ulisse 156), double bed 1500 mm x 1980 mm weight 29-32 kg (Ulisse 167) Spring, memory basic, memory - independent spring coils, 7 zone memory, deluxe memory, versions. For further information on mattresses, please refer to the specific page of the price list.

- Adjustable mattress **locking belts** with black nylon release fasteners.

- **Maximum liftable weight** (including mattress, blankets and pillows): kg 91

- Standard finishes:

Structure: Melamine White, Oak Sabbia, Oak Moro, Perla, Tortora and lacquered as per Cleicoloursystem.

Front: Melamine White, Oak Sabbia, Oak Moro, Perla, Tortora, Glossy White Dialux, lacquered as per Cleicoloursystem.

Back: Melamine White and lacquered as per Cleicoloursystem.

N.B.: Made-to-measure sizes are not possible.

WARNINGS: Assembly and safety



THIS MODEL MUST BE FIXED TO THE WALL

This product is delivered disassembled and provided with specific assembly instructions.

The product must be anchored to walls using 4 anchor points and must stand on perfectly level floors.

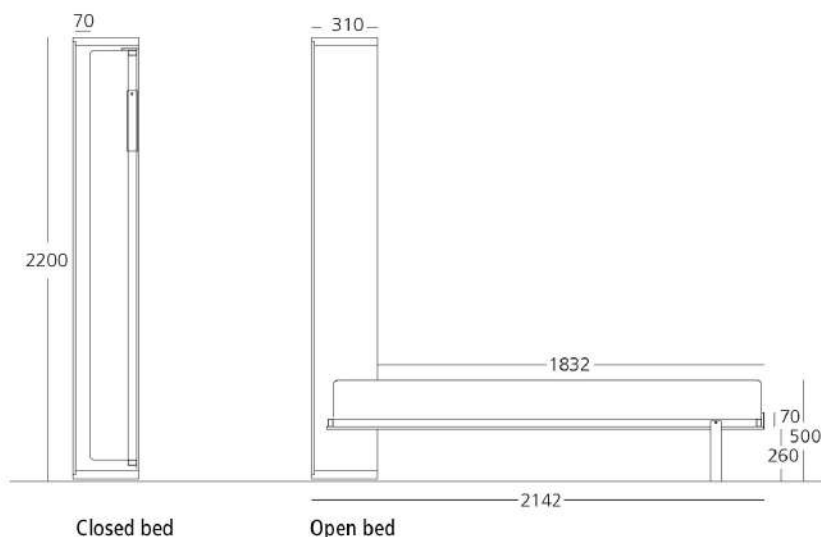
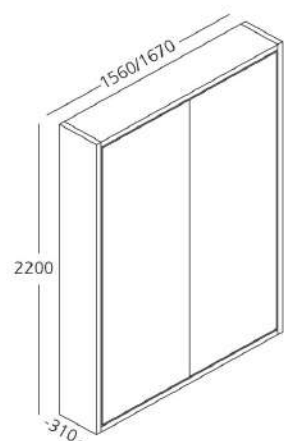
A hardware kit is supplied for assembly, but it does not include wall plugs which, in order to guarantee safety, must be chosen by the installer based on the type of wall or partition where the product is to be installed, and which the manufacturer does not know.

The installer is responsible for workmanlike assembly and testing of the product.

For further specific warnings, please see page 15 of this price list and the instruction booklet that is supplied with each product inside the packaging.

ULISSE STANDARD 156 / 167

Section



Accessories - ULISSE

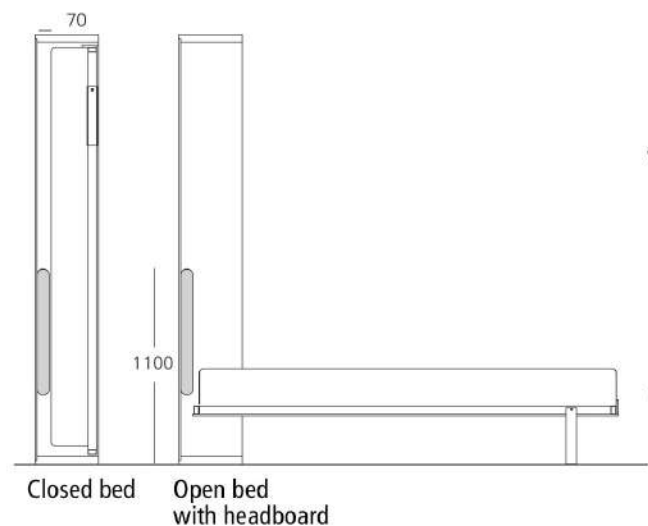
Soft padded headboard

Mounted to the back panel with automatic press-studs.
Dacron padding, 60 mm thick.
Dimensions: W 1480/1540 mm x D 60 mm x H 640 mm

Tight padded headboard

Textile padded headboard with inner support in MDF, fixed directly to the backrest panel with firm-grip velcro.
Padding in foam, rear part upholstered with canvas, thickness mm 30.
Dimensions: W 1440/1550 mm x D 30 mm x H 760 mm

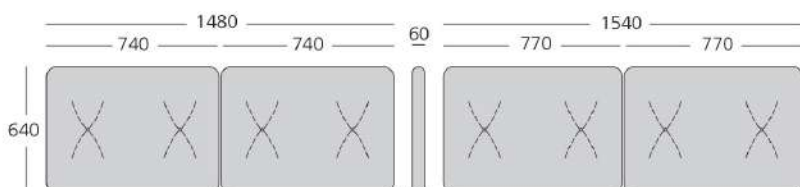
Section



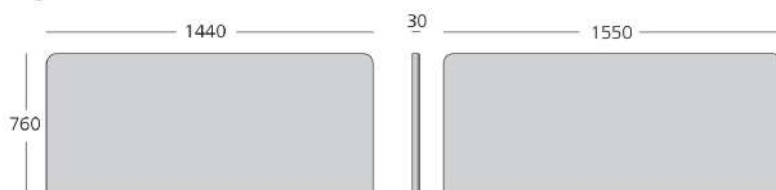
ULISSE 156

ULISSE 167

Soft headboard dimensions



Tight headboard dimensions



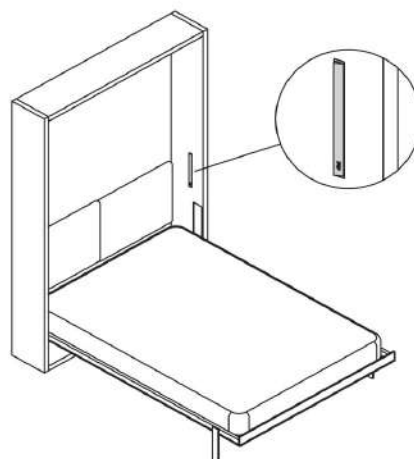
LED light

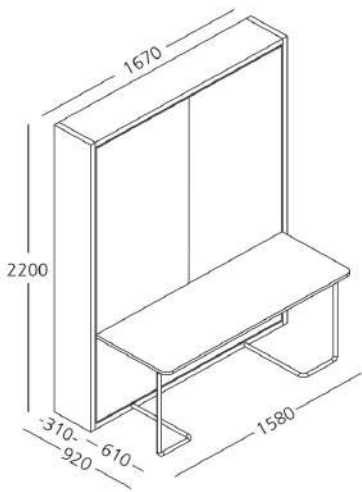
Semi-recessed warm-tone LED system made of an anodized aluminum frame, opaline polycarbonate cover and sensor switch. The LED used is certified in compliance with EN62471 regulation as part of the "risk-free" category that assures its unlimited maximum safety.

LED 3000°K 1,9 W IP40 75/80 Lm/W EEC A+

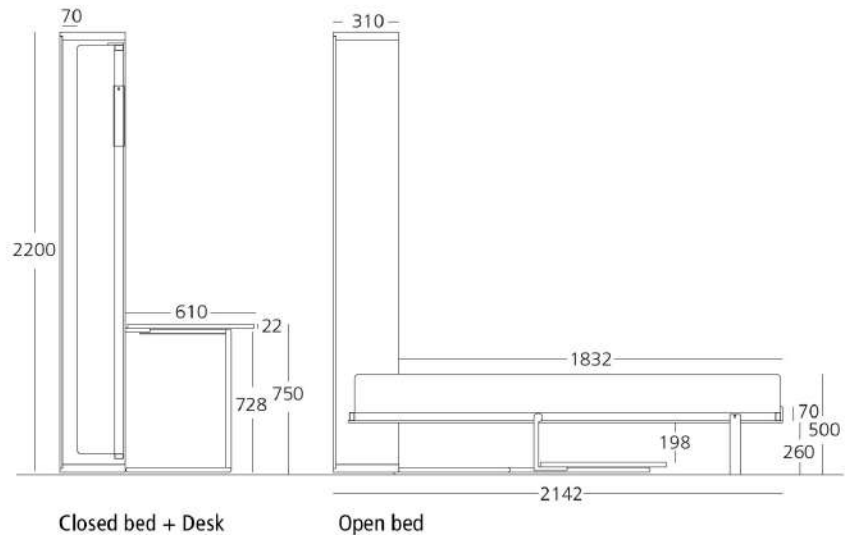


Dimensions: W 30 mm x D 9 mm x H 200 mm



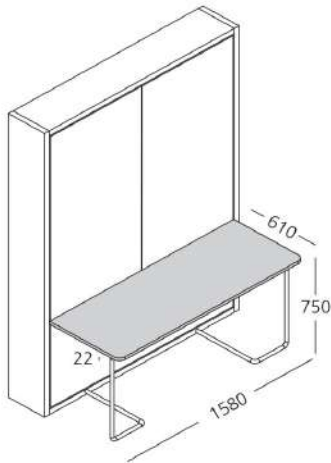


Section



WRITING DESK TECHNICAL FEATURES

Writing desk top with opening mechanism and powder-coated tubular metal support connected to the bed in the same color as the base.
Maximum load: 35 kg equally distributed



ULISSE DESK 167

Transforming system with vertical foldaway double bed with folding opening, and tilting writing desk.

Dimensions:

- Desk Table W 1580 x D 610 x H 750 mm
 - Closed bed W 1670 x D 310 x H 2200 mm
 - Closed bed + Desk W 1670 x D 920 x H 2200 mm
 - Open bed W 1670 x D 2142 x H 2200 mm
 - Mattress W 1500 x D 1980 x H 180 mm
- Weight 29-32 kg

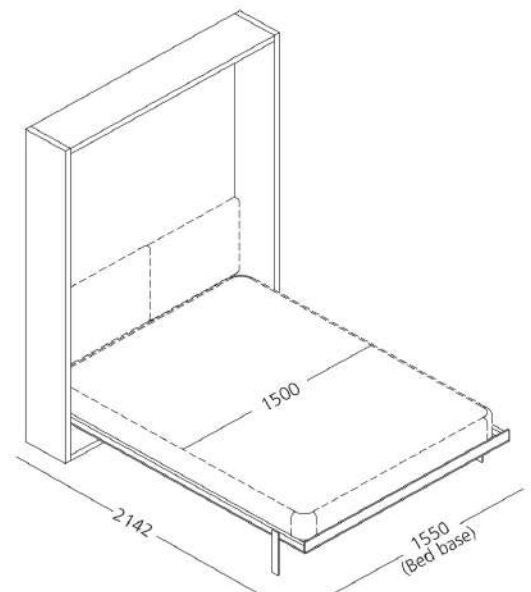
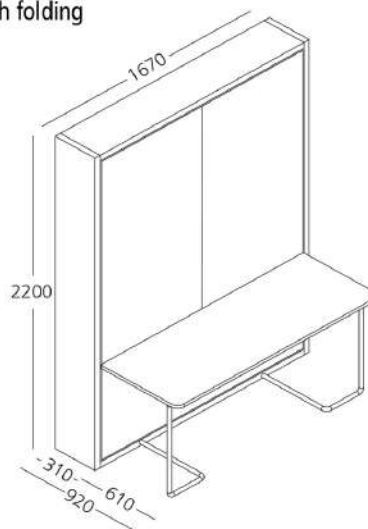
Accessories:

- Padded headboard
- LED light
- Mattress

N.B.: Bed back panel available in Melamine White and lacquered version

Surcharge for split bed base in €

THIS MODEL MUST BE FIXED TO THE WALL



CLEULISSE_DESK	Code	Melamine White	Mel Oak Sabbia/ Oak Moro/ Perla/Tortora	Lacquered	White Dialux			
Combination of components finishes								
Structure	ULI31ST							
Bed back panels	ULI31SC		mel. White					
Front panel with bed base	ULI31FA							
Table	ULI31TA							
TOTAL								

N.B.: Prices do not include mattresses and textile parts unless expressly indicated.

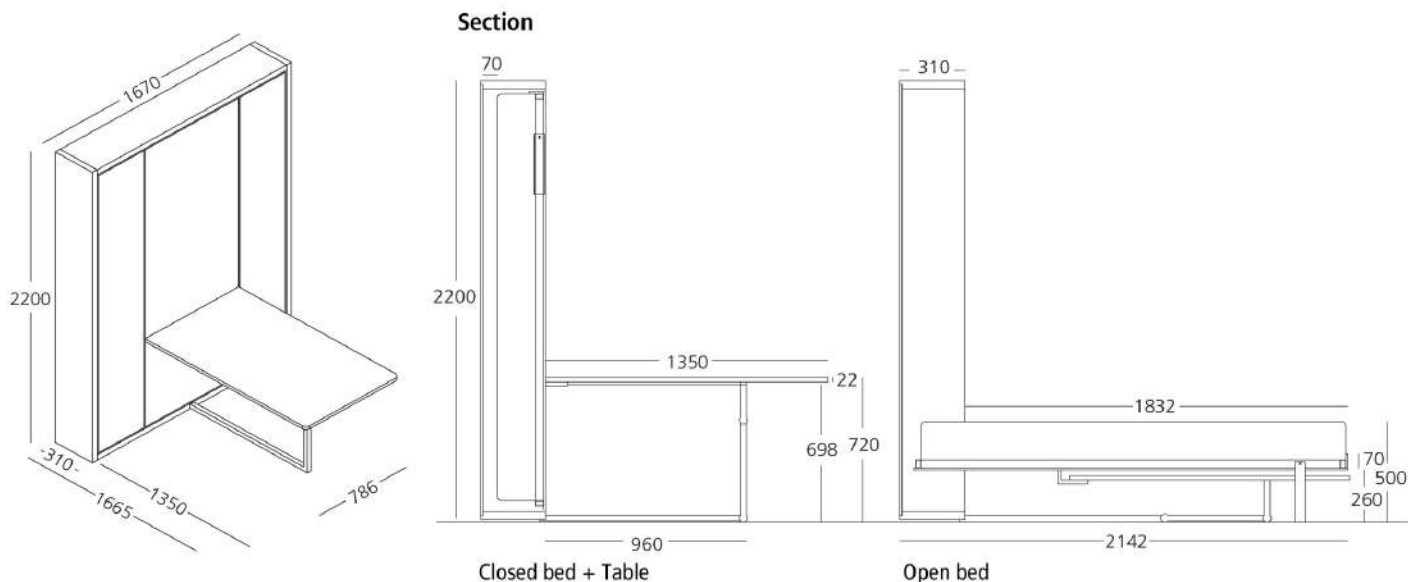
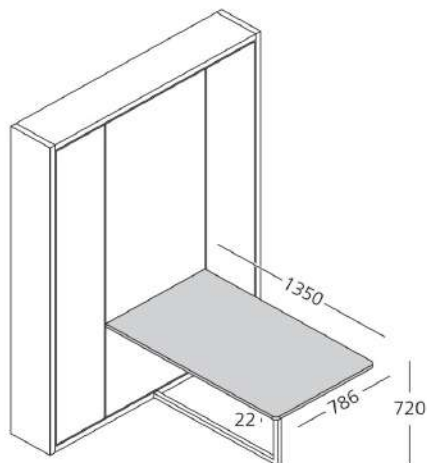


TABLE TECHNICAL FEATURES

Table top with opening mechanism and powder-coated tubular metal support connected to the bed in the same color as the bed base.
Maximum load: 35 kg equally distributed



ULISSE DINING 167

Transforming system with vertical foldaway double bed with folding opening, and tilting table.

Dimensions:

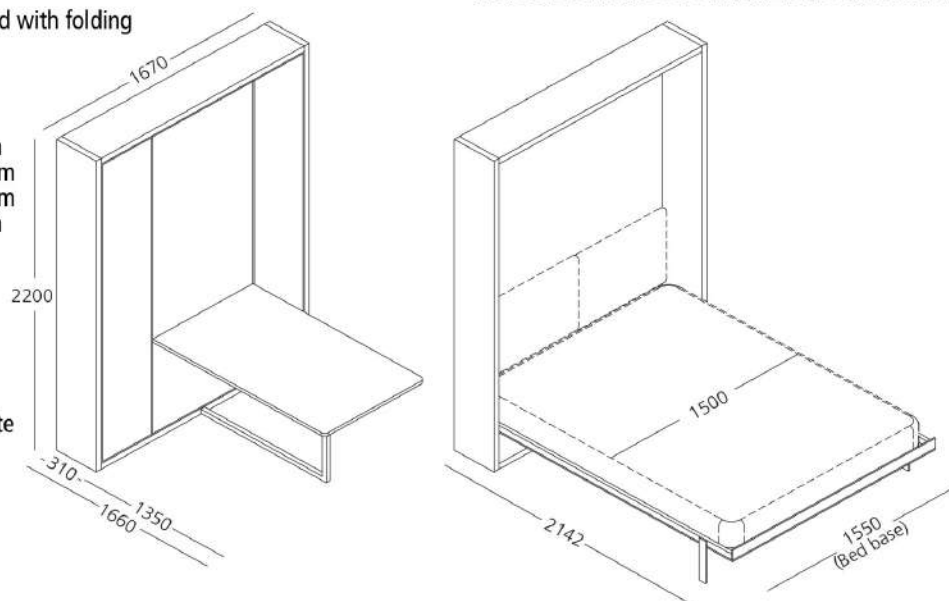
- Dining Table W 786 x D 1350 x H 720 mm
 - Closed bed W 1670 x D 310 x H 2200 mm
 - Closed bed + Dining W 1670 x D 1660 x H 2200 mm
 - Open bed W 1670 x D 2142 x H 2200 mm
 - Mattress W 1500 x D 1980 x H 180 mm
- Weight 29-32 kg

Accessories:

- Padded headboard
- LED light
- Mattress

N.B.: - Bed back panel available in the Melamine White and lacquered version
- Bed base can not be split

THIS MODEL MUST BE FIXED TO THE WALL



CLEULISSE DINING	Code	Melamine White	Mel Oak Sabbia/ Oak Moro/ Perla/Tortora	Lacquered	White Dialux			
Combination of components finishes								
Structure	ULIDINST							
Bed back panels	ULI31SC		mel. White					
Front panel with bed base	ULIDINFA							
Table	ULIDINTA							
TOTAL								

N.B.: Prices do not include mattresses and textile parts unless expressly indicated.