

CF09 Bed Base - patent protected | Board - patent protected | Dining - patent protected | Sofa - patent protected

GENERAL TECHNICAL INFORMATION

Double-function transforming system with vertical foldaway double bed available in two widths (1670 mm and 1770 mm), with the patented CF09 slatted base, with folding opening and safety mechanism to stop accidental opening and closing.

For version mm 1670 wide the bed base is one-piece with surcharge to receive it split. In version mm 1770 wide the bed base is always split.

Folding mechanism with gas springs and device that cushions movements, completely recessed in the side of the structure, thanks to patented technology and special manufacturing.

The model, which is produced with a depth of 350 mm (with fabric headboard) or 623 mm (with wooden headboard, pillow compartment and shelves) is available in the Standard, Board (large desk), Dining (table) and Sofa versions.

The system can stand alone or be integrated and coordinated with the elements of the Living and Young System programs.

Penelope 2 Standard is available in the W 1670 mm version with W 1500 mm mattress, and W 1770 mm version with W 1600 mm mattress.

Penelope 2 Board features a patented maxi writing desk which uses a tilting movement to slide horizontally under the bed in the night-time configuration, without the need to remove any objects from the desk.

Penelope 2 Dining features a mechanized table (W 700 mm x D 1200 mm x H 720 mm) which can perform a series of specific functions: foldaway opening for the table function, vertical closing flush against the front of the system to free up space and tilting movement so that it sets under the bed base in the night-time configuration.

Penelope 2 Sofa: the backrest cushions are removed as the bed is opened, the sofa tilts backwards and sets under the bed.

Sofa is available in versions Basic and Next.

- **Basic** version has bench-seat cushion. Available kind of seam : either simple seam or French seam on sofa with 4 cm wide arms.

Only French seam on sofa with 16 cm wide arms .

- **Next** version has two zipped-together seat cushions, front band under the seat and 16 cm wide arms .

Penelope motorized version - made in all versions with automated mechanism.

- **Wooden frame** with adjustable nylon feet.

- **Bed base** with curved beech plywood slats mounted to the frame with adjustable nylon/rubber gaskets.

- weight of bed base: Kg 52

- weight of bed base + front panels Kg 74

- **Standard mattresses** H 180 mm 1500 mm x 1980 mm weight 29-32 kg, 1600 mm x 1980 mm weight 31- 33 kg.

Spring, memory basic, memory - independent spring coils, 7 zone memory, deluxe memory versions.

For further information on mattresses, please refer to the specific page of the price list.

- Adjustable mattress **locking belts** with black nylon release fasteners.

- **Maximum liftable weight** (including mattress, blankets and pillows): kg 109

- Standard finishes:

Structure: Melamine White, Oak Sabbia, Oak Moro, Perla, Tortora and lacquered as per Cleicoloursystem.

Front: Melamine White, Oak Sabbia, Oak Moro, Perla, Tortora, Cemento, Glossy White Dialux, lacquered as per Cleicoloursystem, Dialux with grooves, Wavy Walnut Wood, Smoked Oak Wood.

Back: Melamine White and lacquered as per Cleicoloursystem.

N.B.: Made-to-measure sizes are not possible.

PATENTED CF09 BED BASE: Technological Innovation

- **The bed base** consists of laser cut, press-brake bent box-shaped sheet metal with die-cast components and a slatted wooden base (Fig. 1).

- **Safety:** Bed base safety device consisting of an automatic engagement locking pin The auto-lock mechanism prevents accidental opening and closing of the bed, both in the vertical and in the horizontal position (Fig. 2).

Integrated opening lever between the side and front panel (Fig. 3) with automatic locking function of the open bed and manual unlocking for its closure (Fig. 4).

- **Mechanism and design:** Folding mechanism with gas springs and device that cushions movements, completely recessed in the side of the structure, thanks to patented technology and special manufacturing (Fig. 5).

- **Easy installation,** the gas spring automatic engagement device makes the bed base quick and easy to install.

- **Functionality and aesthetics:** No hardware required for front panel mounting (Fig. 6).

- **Adjustments:** to compensate floor level differences, the bed frame legs are height adjustable (Fig. 7A and 7B).



FIG.1

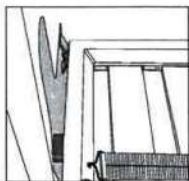


FIG.2

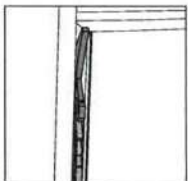


FIG.3



FIG.4

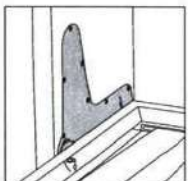


FIG.5

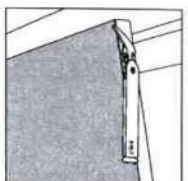


FIG.6

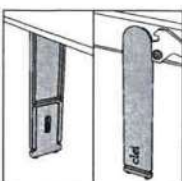


FIG.7A FIG.7B

WARNINGS: Assembly and Safety



PENELOPE 2 STANDARD, PENELOPE 2 BOARD AND PENELOPE 2 DINING MUST BE FIXED TO THE WALL. PENELOPE 2 SOFA IS SELF-SUPPORTING.

This product is delivered disassembled and provided with specific assembly instructions.

The product must be anchored to walls using 4 anchor points and must stand on perfectly level floors.

A hardware kit is supplied for assembly, but it does not include wall plugs which, in order to guarantee safety, must be chosen by the installer based on the type of wall or partition where the product is to be installed, and which the manufacturer does not know.

The installer is responsible for workmanlike assembly and testing of the product.

For further specific warnings, please see page 15 of this price list and the instruction booklet that is supplied with each product inside the packaging.

The Penelope 2 transforming system is also available in a motorized version in all its variants.

The automatic opening and closing mechanism of the vertical bed base is operated by an electric actuator device controlled by a push-button pad located on the side of the bed.

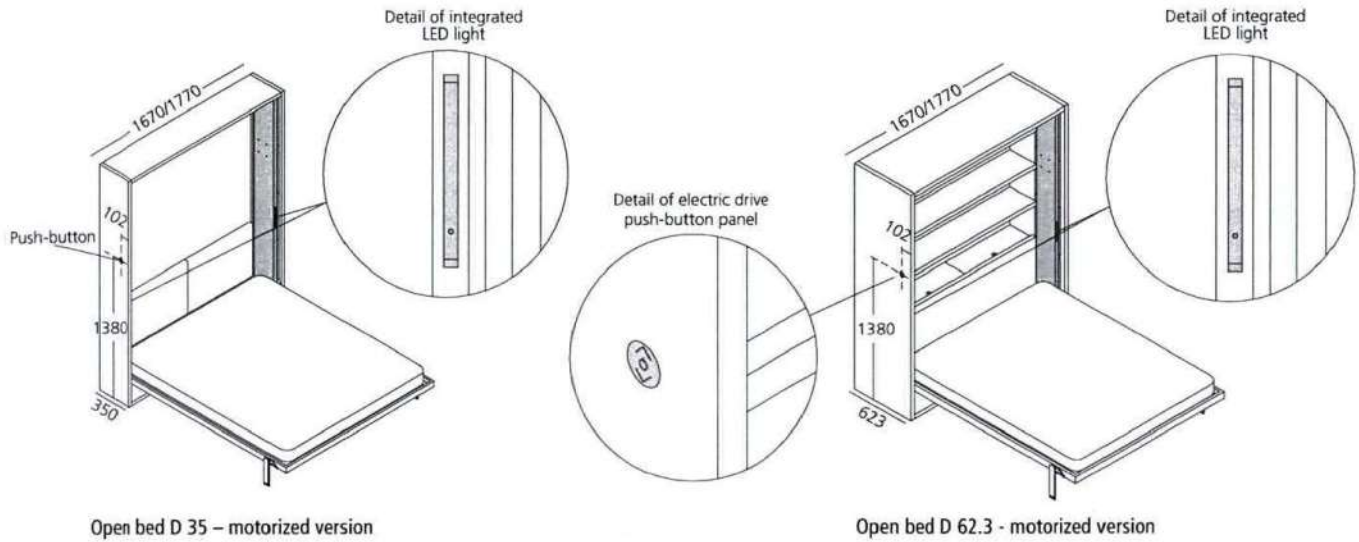
In the event of a power failure, the device can be operated by the back-up battery (replace the back-up battery after emergency use).

LED lights, housed in opaline polycarbonate profiles in conformity with standard EN62471, in the risk-free group that guarantees their unlimited maximum safety, are integrated into the side plates.

LED 3000°K 1,43 W IP40 108/118 Lm/W EEC A+

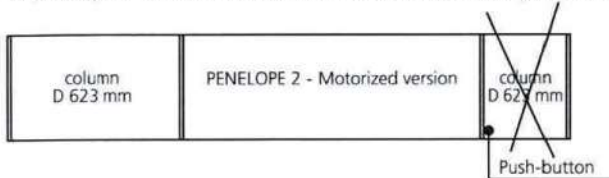


Dimensions: W 12 mm x D 1 mm x H 200 mm

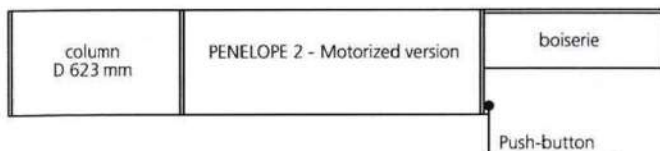
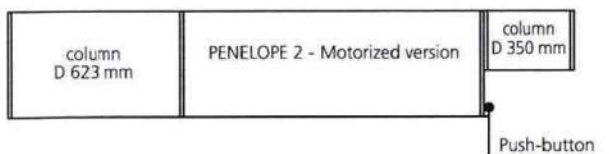


DESIGN GUIDE

1 do not place columns in D 623 mm next to side with push-button panel



2 place columns in D 350 mm or boiserie next to the side with the transfer button panel

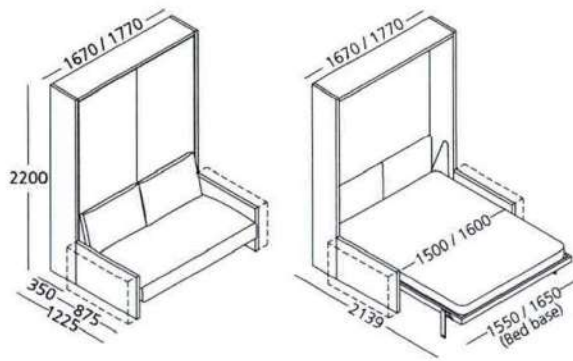


WARNINGS:

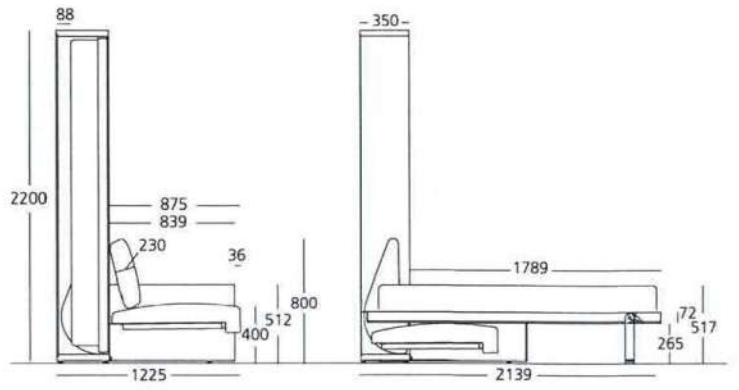


- When the mechanism is in operation, make sure that no one and no objects obstruct the space through which the bed base moves.
- Always unplug the system from mains electricity before carrying out any maintenance work.
- In the Dining version, the bed must never be opened when the table is closed in the vertical position.
- Please see the product information sheet and the assembly instructions enclosed with the product for any other warnings.

PENELOPE 2 SOFA 167/177 - D 35



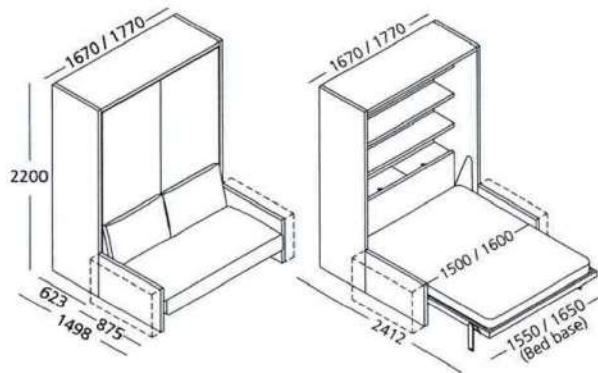
Section



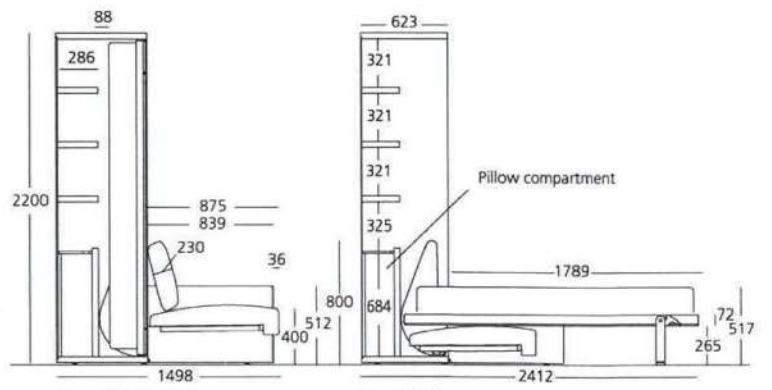
Closed bed + Sofa

Open bed

PENELOPE 2 SOFA 167/177 - D 62,3



Section



Closed bed + Sofa

Open bed

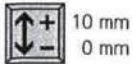
TECHNICAL FEATURES OF THE BASIC SOFA

- **Structure** made of iron with epoxy powder coating.
 - **Seat springs** made of interwoven reinforced elastic straps.
 - **Armrests** in width cm 4 - cm 16 , with iron frame , high density cold-foamed padding, covered with double velvet.
 - **Bench-seat** cushion made of non-deformable foam of differentiated densities, upholstered with layer of Dacron coupled with cotton cloth.
 - **Backrest cushions** made of Piuma&Fill: a padding system made of natural goose feather ,washed and sterilized and polyester fibre flakes in compliance with European regulations.
Cushion upholstered in white with 100% cotton cloth, that protect the contact with the padding .
 - **Cover** in fabric or leather, fully removable.
- Either simple seam or French seam on sofa with 4 cm wide armrests . Always French seam on sofa with 16 cm wide armrests.

TECHNICAL FEATURES OF THE NEXT SOFA

- **Structure**, springs, armrests, padding same like in Basic version.
- **Next** version has zipped-together seat cushions, front band under the seat, 16 cm wide arms, French seam.

- Adjustment of foot under armrest



- Maximum sofa **capacity** 300 kg
- **Optional** feather lateral loose cushion

- Length required for sofa cover:

PENELOPE 2 167 BASIC SOFA version armrests W 40 mm

- Normal stitching fabric Ml. 6 in H 1,40 - Leather Mq. 9,20
- French stitching fabric Ml. 6 in H 1,40 - Leather Mq. 9,20

PENELOPE 2 167 BASIC SOFA version armrests W 160 mm

- French stitching fabric Ml. 6,00 in H 1,40 - Leather Mq. 9,50

PENELOPE 2 167 NEXT SOFA version

- French stitching fabric Ml. 6,80 in H 1,40 - Leather Mq. 11,00

PENELOPE 2 177 BASIC SOFA version armrests W 40 mm

- Normal stitching fabric Ml. 6,30 in H 1,40 - Leather Mq. 10,00
- French stitching fabric Ml. 6,30 in H 1,40 - Leather Mq. 10,00

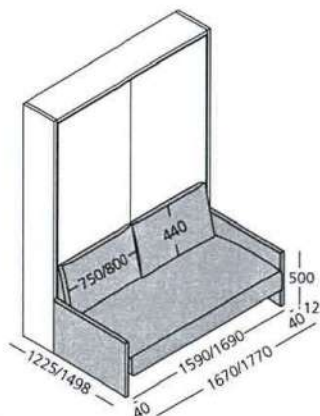
PENELOPE 2 177 BASIC SOFA version armrests 160 mm

- French stitching fabric Ml. 6,30 in H 1,40 - Leather Mq. 10,00

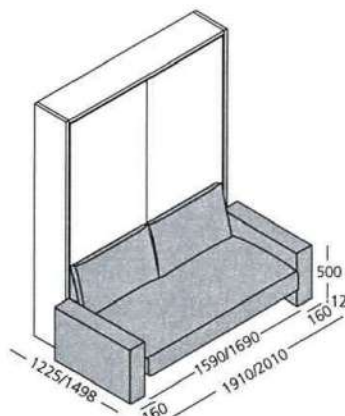
PENELOPE 2 177 NEXT SOFA version

- French stitching fabric Ml. 7,00 in H 1,40 - Leather Mq. 11,00

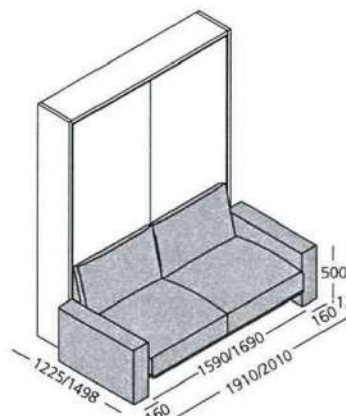
- Wash according to the fabric label.



(FIG. 1)
BASIC SOFA Version
sofa with armrests W 40 mm



(FIG. 2)
BASIC SOFA Version
sofa with armrests W 160 mm



(FIG. 3)
SOFA Version NEXT

PENELOPE 2 SOFA - Design guide, composition and integration with the Living and Young System programs

Warnings for 160 mm W sofa with armrest - Penelope 2 sofa.

Combination with open storage units, storage units 350 mm D with fixed lower door and with boiserie.

