

GENERAL TECHNICAL INFORMATION

Dual-function transforming system with horizontal foldaway single bed with the patented CF09 slatted bed base, folding opening and safety mechanism to stop accidental opening and closing. The upper part is completed with bridge wardrobe element with sliding doors.

Folding mechanism with gas springs and device that cushions movements, completely embedded in the side of the structure, thanks to patented technology and special manufacturing.

The model, made in depth 623 mm, in two heights 2200 mm and 2561 mm, is available in the Standard, Board (maxi writing desk) and Sofa versions. The system can stand alone or be integrated and coordinated with the elements of the Living and Young System programs.

Kali Ponte Standard with single bed and wardrobe element with sliding doors, is available in two heights, 2200 mm and 2561 mm.

Kali Ponte Board with single bed and wardrobe element with sliding doors, patented maxi writing desk, which uses a tilting movement to slide horizontally under the bed in the night-time configuration, without the need to remove any objects from the desk.

Kali Ponte Sofa with single bed and wardrobe element with sliding doors and sofa, patented. The backrest cushions are removed as the bed is opened, the sofa tilts backwards and takes place under the bed.

The sofa is available in the version with a full-size seat cushion, French stitching, with two types of armrest in different widths (W 40 mm and 160 mm) and in the "Next" version with divided seat, horizontal band under the chair armrest W 160 mm, with French stitching.

Removable cover.

- Wooden **frame** with adjustable nylon feet.
- **Bed base** with curved beech plywood slats mounted to the frame with adjustable nylon/rubber gaskets.
 - Bed base : kg 28
 - bed base with front panel : kg 40
- **Standard mattresses** H 180 mm, single 800 mm x 1970 mm weight 14-16 kg,
 - Spring, memory basic, memory - independent spring coils, 7 zone memory, deluxe memory versions (for further information on mattresses, refer to the specific page of the price list).
- Adjustable mattress locking belts in nylon with black nylon release fasteners.
- **Maximum liftable weight** (including mattress, blankets and pillows): kg 59

- Standard finishes:

- Structure: Melamine White, Oak Sabbia, Oak Moro, Perla, Tortora and lacquered as per Cleicoloursystem.
- Front and doors: Melamine White, Oak Sabbia, Oak Moro, Perla, Tortora, Cemento (only for the bed panel front), Glossy White Dialux, lacquered as per Cleicoloursystem.
- Back: Melamine White and lacquered as per Cleicoloursystem.
- Decorations: Multicolour - Prints, Quadra - Petalo - Wave, fixed configurations as per chapter "decorations" of the pricelist.

N.B.: Made-to-measure sizes are not possible.

PATENTED CF09 BED BASE: Technological Innovation

- **The bed base** consists of laser cut, press-brake bent box-shaped sheet metal with die-cast components and a slatted wooden base (Fig. 1).
- **Safety:** Bed base safety device consisting of an automatic engagement locking pin. The auto-lock mechanism prevents accidental opening and closing of the bed, both in the vertical and in the horizontal position (Fig. 2).
Integrated opening lever between the side and front panel (Fig. 3) with automatic locking function of the open bed and manual unlocking for its closure (Fig. 4).
- **Mechanism and design:** Folding mechanism with gas springs and device that cushions movements, completely recessed in the side of the structure, thanks to patented technology and special manufacturing (Fig. 5).
- **Easy installation,** the gas spring automatic engagement device makes the bed base quick and easy to install.
- **Functionality and aesthetics:** No hardware required for front panel mounting (Fig. 6).
- **Adjustments:** to compensate floor level differences, the bed frame legs are height adjustable (Fig. 7A and 7B).



FIG.1

FIG.2

FIG.3

FIG.4

FIG.5

FIG.6

FIG.7A

FIG.7B

WARNINGS: Assembly and Safety



**MANDATORY TO FIX KALI DUO STANDARD AND KALI DUO BOARD TO THE WALL.
KALI PONTE SOFA IS SELF-SUPPORTING.**

This product is delivered disassembled and provided with specific assembly instructions.

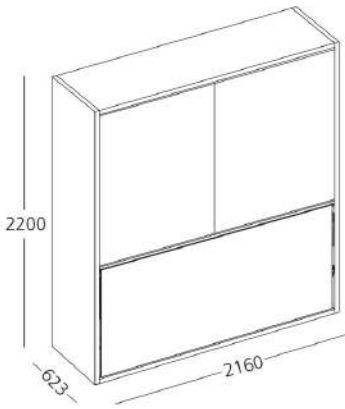
The product must be anchored to walls using 4 anchor points and must stand on perfectly level floors.

A hardware kit is supplied for assembly, but it does not include wall plugs which, in order to guarantee safety, must be chosen by the installer based on the type of wall or partition where the product is to be installed, and which the manufacturer does not know.

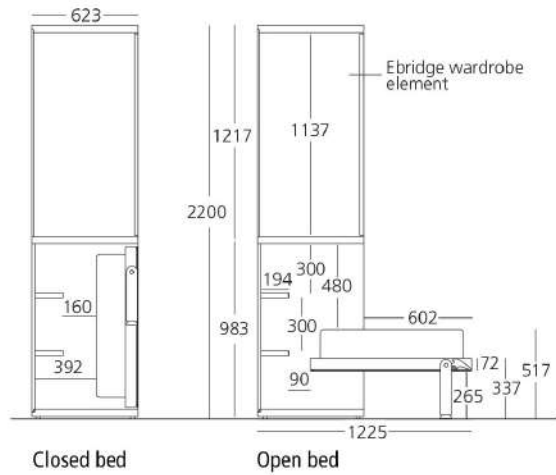
The installer is responsible for workmanlike assembly and testing of the product.

For further specific warnings, please see page 15 of this price list and the instruction booklet that is supplied with each product inside the packaging.

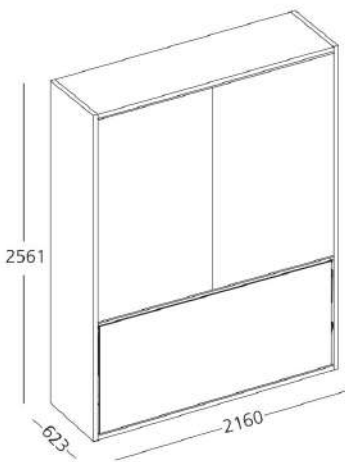
KALI PONTE STANDARD 2200



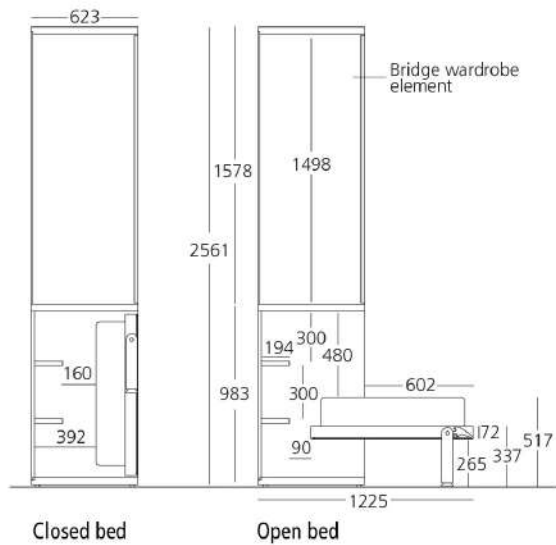
Section



KALI PONTE STANDARD 2561



Section

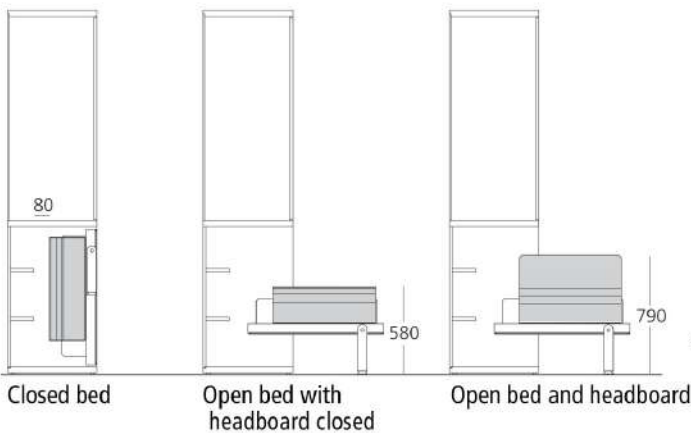


Accessories - KALI PONTE

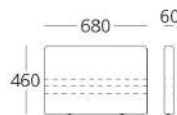
Reclining padded headboard

Iron frame with expanded, cold-cured polyurethane foam padding and with removable fabric cover. Cannot be covered in eco-leather due to the thickness, which causes chafing
Open headboard dimensions: W 680 mm x D 60 mm x H 460 mm

Section



Reclining headboard dimensions



LED light

LED system made of aluminum tubes with plexiglass sliding cover, which acts as a lamp. On/off button in the rear and rubber front pad to cushion the bed base closure.

The LED used is certified as compliant with regulation EN62471 in the existing risk group that ensures its utmost safety without limitations.

LED 3000°K 1,4 W IP20 75/80 Lm/W EEC A+



Dimensions: W 200 mm x D 25 mm

