

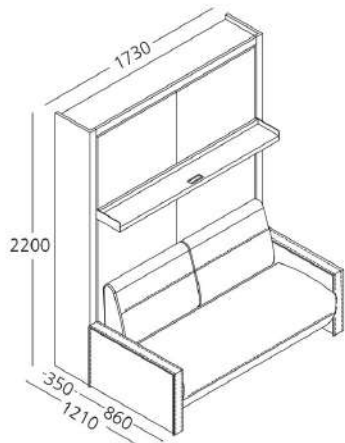
GENERAL TECHNICAL INFORMATION

Dual-function transforming system.

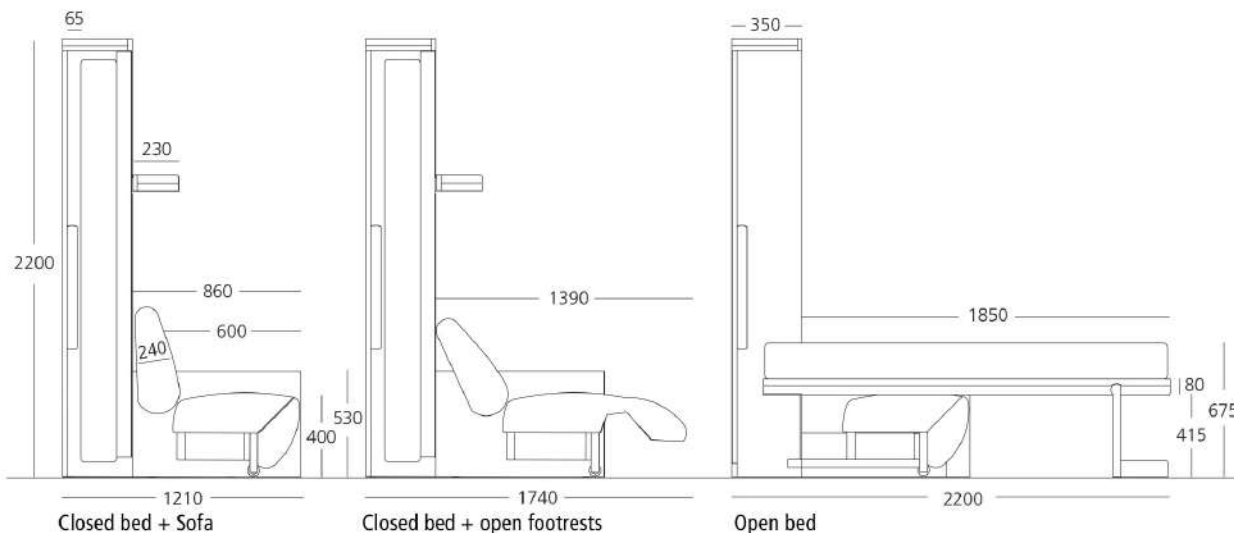
ITO 016 sofa consists of a sliding and reclining full seat cushion with integrated extractable footrests, padded side armrests and two option side cushions for armrests, integrated with always ready, foldaway double bed with fold down opening and CF97 slatted bed base.

On opening the bed, the tilting front shelf becomes the ground support, the sofa seat advances and the backrest reclines. The system can stand alone or be integrated and coordinated with the elements of the Living and Young System programs.

Attention: Cover in eco-leather could create small wrinkles due to the shape and the movement of the seat



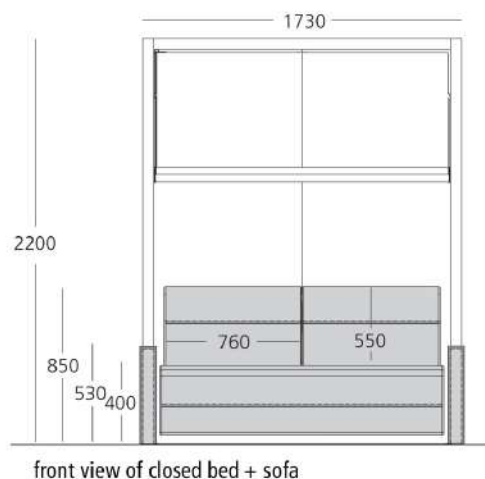
Section



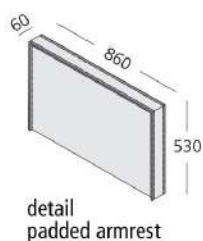
SOFA TECHNICAL FEATURES

- **Structure** made of iron with epoxy powder coating
- **Seat:** foam covered in a layer of Dacron coupled with cotton fabric: cover with folded edge stitching.
- **Backrest:** foam of differing densities covered with a layer of Dacron coupled with cotton fabric, cover with folded edge stitching.
- **Armrests:** metal framed and cold foam, high density padding covered in coupled velvet: cover with folded edge stitching.
- **Covered** in completely removable fabric or leather
- **Length required for sofa cover:**
Fabric Ml. 5 in H. 1,40 - Leather m² 7.7
- Wash according to the fabric label.

Front view



front view of closed bed + sofa



detail padded armrest

Stitching details

