

# flag pouf

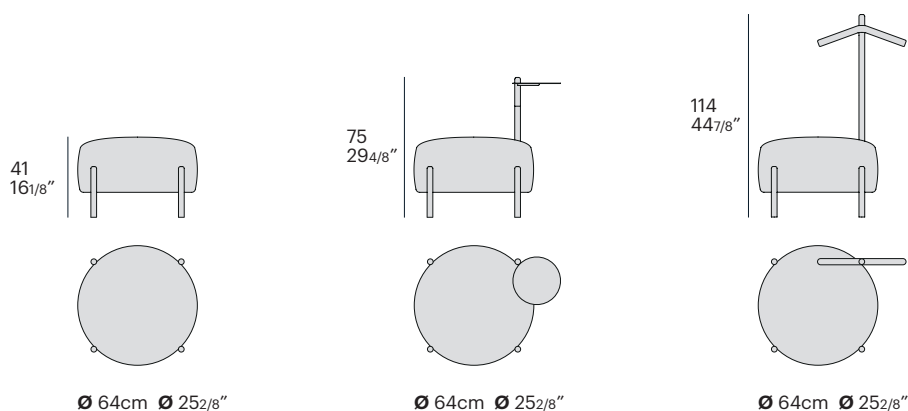
design ruga.perissinotto



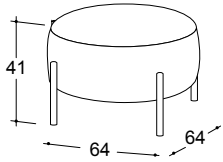
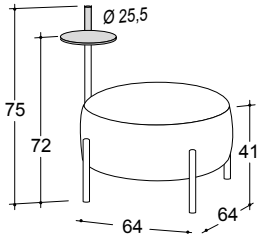
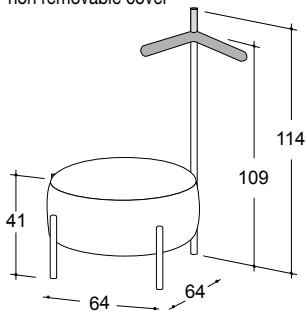
Serie di pouf coordinabili al letto Flag di cui mantengono l'estetica e la versatilità. È possibile infatti arricchire il modello base con due utili accessori: un vassoio in ottone o una comoda gruccia per gli indumenti.

Series of poufs that can be combined with Flag bed, due to their aesthetics and versatility. It is possible to enrich the basic model with two useful accessories: a brass tray or a convenient clothes hanger.

## informazioni tecniche / technical info:



# Flag poufs and accessories

Version	Ext. dimension Code	D	C	A	Plus	Luxury fabric	Luxury leather Panama	Nuvola fabric	Nuvola leather	TCL	Cover		kg
											ml	mc	
<b>Flag pouf</b> non removable cover  	walnut finish 64x64xH.41 <b>POUFF</b>										2	0.18	10
<b>Flag pouf with tray</b> non removable cover  	black finish 64x64xH.75 <b>POUFFMN</b> brushed brass finish 64x64xH.75 <b>POUFFMO</b> brushed brass 64x64xH.75 <b>POUFFMOT</b>										2	0.33	12
<b>Flag pouf with clothes hangers</b> non removable cover  	walnut finish 64x64xH.114 <b>POUFFA</b>										2	0.48	11

## finiture / finishes

---

### top e maniglie / top and handles



bianco / white  
RAL 9010



nero / black  
RAL 9011



grigio / grey  
RAL 7044



marrone / brown  
RAL 8019



rosso / red  
RAL 3005



verde / green  
RAL 6020



blu / blue  
RAL 5008

### solo per gambe / legs only



noce / walnut

### solo per accessori / accessories only



ottone satinato /  
brushed brass